

Energy & Strength All Rolled-up
In A WinDow
Brand You
Can Trust...

WinDoor
INCORPORATED

RE:Think Vinyl

Not Your Typical Vinyl Fixed WinDow System... Durable & Stronger

The Vinyl Fixed WinDow boasts a classical look that makes it a desirable Window in any location.



These durable, vinyl fixed WinDows are field glazed from the interior into the heavy duty extruded u-PVC Vinyl frame. **The perfect companion to the V-100 Series Tilt & Turn WinDow or as shown with the V-800 Terrace Door.**

The possibilities are endless...

Colorful Choices: Standard White Optional Custom Colors Even Two Tone different colors inside & Out! Any Color Under The Sun, as well as woodgrain options.

Glass Choices:

We offer High Performance Glass options for all kinds of weather conditions. From Impact to non-impact to insulated to Clear, Obscure or Tinted glasses, all available with Low-e glass options. All of our glass choices feature tempered glass standard.

Non-Impact 1" std
Triple Glazed 1 1/2"
Impact Tested
1" std Optional 1 1/4"
Triple Glazed 1 1/2"



Our Vinyl Fixed WinDow system offers a traditional look that is perfect for high-rise capabilities or suitable for the private residential application.



MADE IN AMERICA

www.WinDoorInc.com

V - 130 Series

Fixed Vinyl WinDow

High Performance Ratings:

Impact Or Non-Impact

Design Pressures +80 / - 80

Water Performance 30 lbs

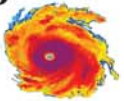
Max Size 54" x 84" or

Horizontal Triple 162" x 84"

Unlimited Horizontal Factory

Mulled Units

The design requirements can change drastically for commercial vinyl windows. Check the building code requirements for your area.



Our vinyl frames our **Thicker & Stronger** with almost 68% more vinyl than most vinyl windows on the market.

We have a precision corner welding process that ensures that our Fixed WinDows will resist warping & twisting over the life of the product.

FLORIDA
STATE
PRODUCT
APPROVAL



See other side for more details

Spec Data Sheet V-130 Series Fixed WinDow Impact or Non-Impact:

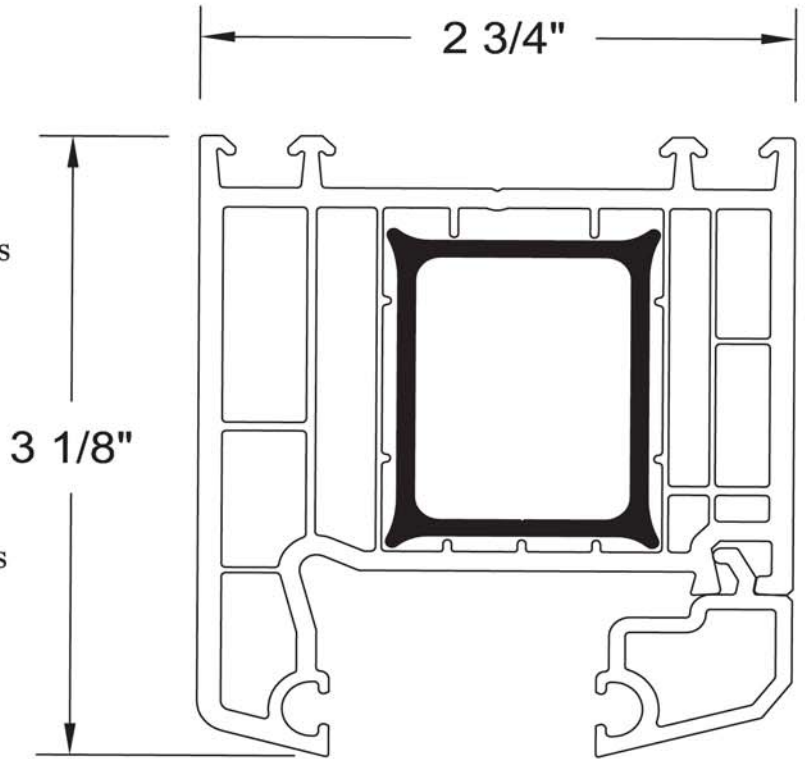
The possibilities are endless...

Custom Sizes Never a Problem



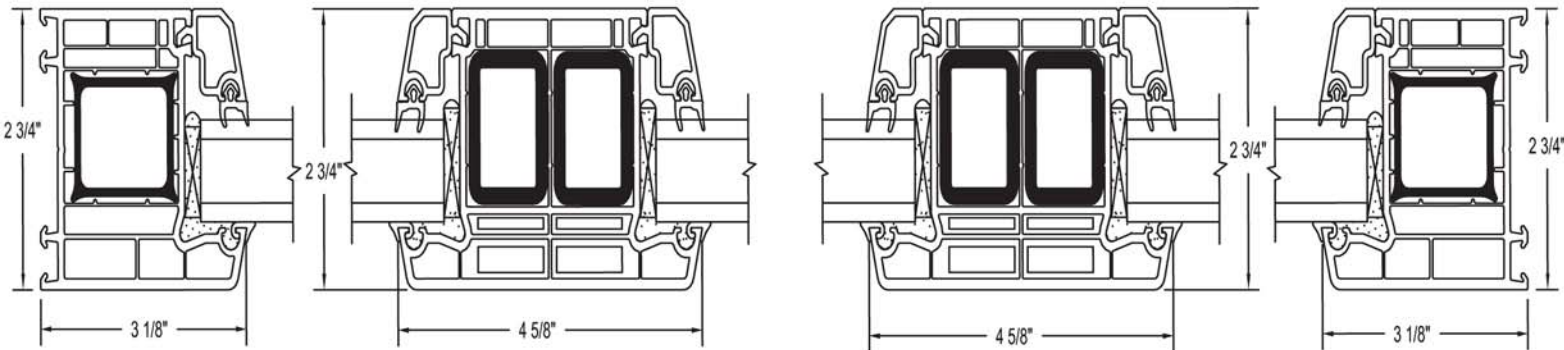
FACTS:

- Fusion-Weld Frame and Sashes
- Frame and sash corners are welded mitered joints
- Fully-reinforced design
- Durable. Unlike other materials, Vinyl WinDows will never rust, rot, corrode, blister, flake or fall victim to insect or termite infestation.
- Low-maintenance... Our vinyl WinDows are easy to clean and maintain, and can stay looking new and beautiful for decades after installation.
- Energy-efficient. With features like argon gas (Standard) or choose from our large Low-E glass options that meet the highest industry standards in energy efficiency.
- Our Vinyl WinDows offer custom crafted sizes to fit a variety of architectural aesthetics.



EXTERIOR

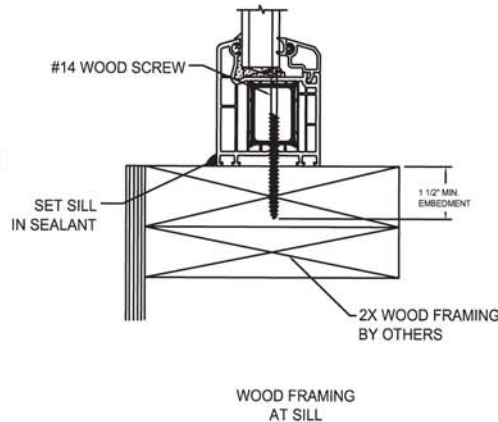
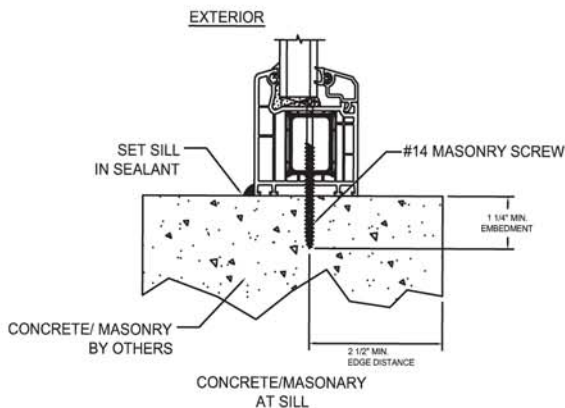
HEAD SECTION



EXTERIOR

EXTERIOR

EXTERIOR



WinDoor
INCORPORATED

www.WinDoorInc.com

WinDoor Incorporated reserves the right to change materials design and or construction without notice or liability.